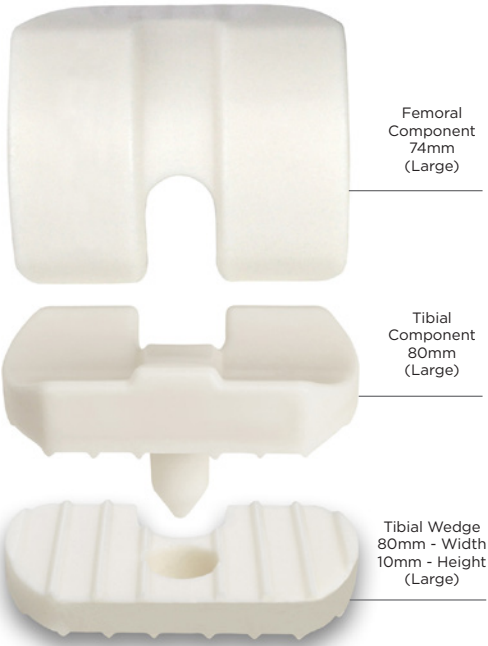


REMEDY® KNEE SYSTEM

KNEE INTERCHANGEABILITY

L

REMEDY® LARGE MODULAR KNEE



The REMEDY® Knee Spacer is part of the treatment foreseen in a two-stage procedure performed in the event of permanent prosthesis infection. The REMEDY® Knee Spacer implant is intended for temporary use only (180 days or less). It allows basic joint mobility and releases antibiotics into the joint area to protect the implant from bacterial colonization. A second surgery will be required at a later date to remove the REMEDY® Knee Spacer and replace it with a permanent knee joint implant.

REMEDY® Knee Spacers:

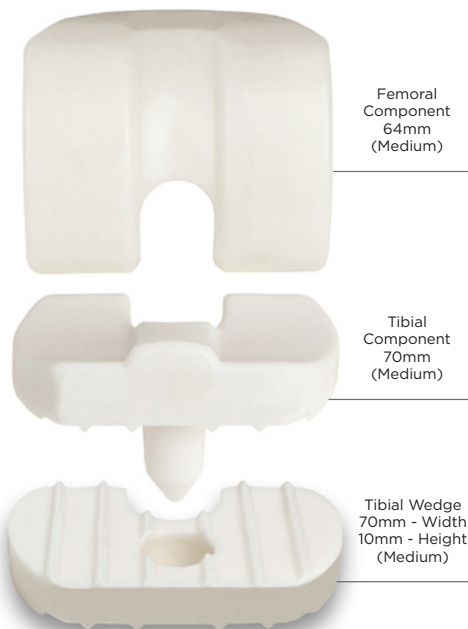
- Single-use medical devices/ethylene oxide sterile
- Formed with bone cement (PMMA) and gentamicin

TOTAL SYSTEM INTERCHANGEABILITY

- 65% of cases result in different size femur and tibia*
- 35% of cases use a tibial wedge*

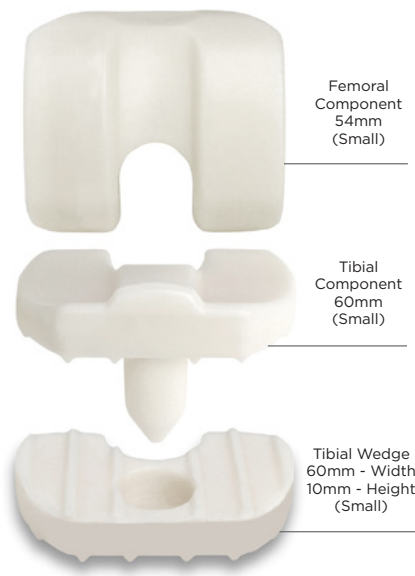
M

REMEDY® MEDIUM MODULAR KNEE



S

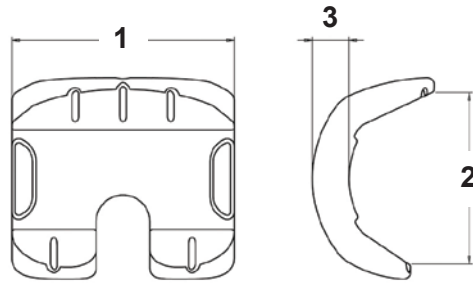
REMEDY® SMALL MODULAR KNEE



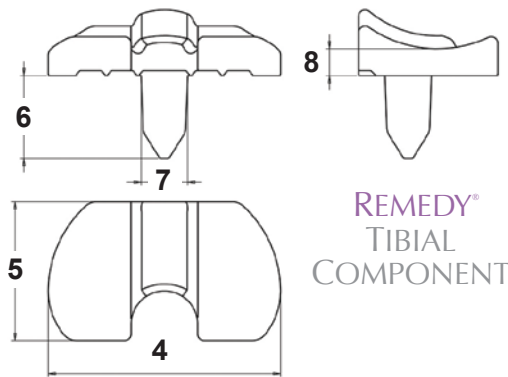
Size XL Femoral Component also available upon request

* Internal OsteoRemedies data

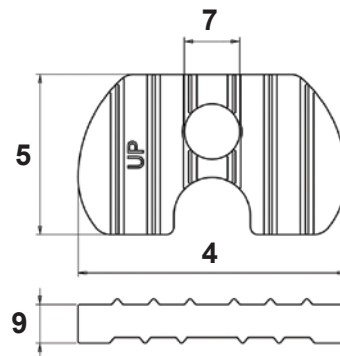
KNEE SPECIFICATIONS



REMEDY®
FEMORAL COMPONENT



REMEDY®
TIBIAL
COMPONENT



REMEDY®
TIBIAL
WEDGE/INSERT

REMEDY® KNEE SPACER

Description	Catalog #	(MM)									Gentamicin Base (g)
		1	2	3	4	5	6	7	8	9	
REMEDY® Tibial Component 60mm	RKTBSM				60	36	25	14	7.8		0.4
REMEDY® Tibial Component 70mm	RKTBMD				70	42	25	14	8.2		0.6
REMEDY® Tibial Component 80mm	RKTBLG				80	48	25	14	8.8		0.9
REMEDY® Femoral Component 54mm	RKFMSM	54	41.6	9.5							0.5
REMEDY® Femoral Component 64mm	RKFMMD	64	49.3	10.5							0.8
REMEDY® Femoral Component 74mm	RKFMLG	74	56.3	11.5							1.2
REMEDY® Femoral Component 84mm	RKFMXL	84	63.4	12.5							1.6
REMEDY® Tibial Wedge/Insert 60mm	RKINSM				60	36		14.5		10	0.3
REMEDY® Tibial Wedge/Insert 70mm	RKINMD				70	42		14.5		10	0.5
REMEDY® Tibial Wedge/Insert 80mm	RKINLG				80	48		14.5		10	0.7

OsteoRemedies, LLC | 6800 Poplar Avenue | Suite 120 | Memphis, TN 38138

1-800-OSTEO-XL | 901-453-3141 | info@OsteoRemedies.com | OsteoRemedies.com

