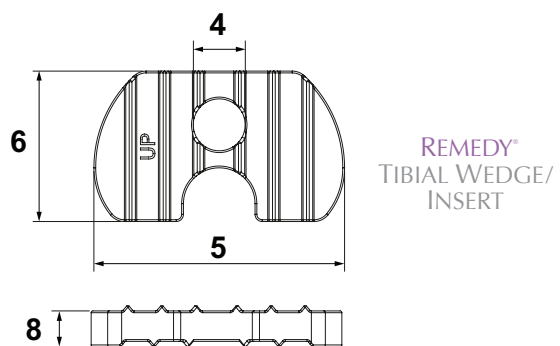
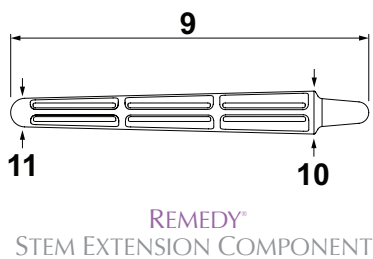
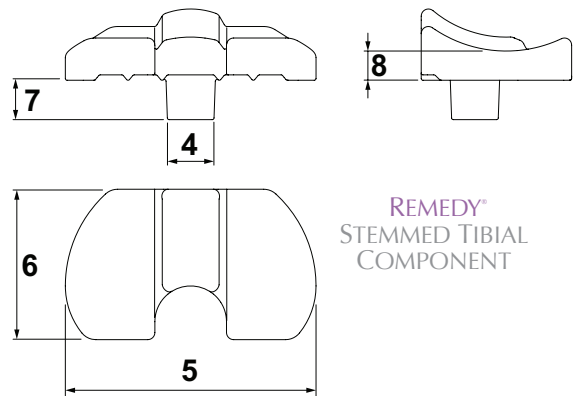
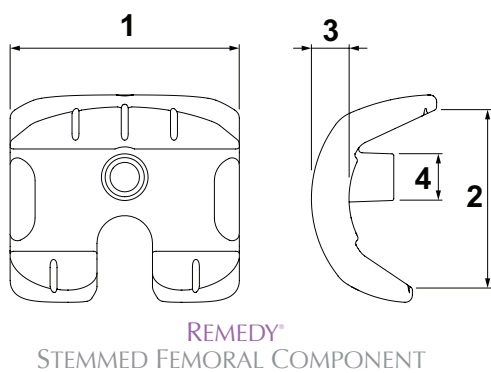


# STEMMED KNEE SPECIFICATIONS



Description	Catalog #	(MM)											Gentamicin Base (g)
		1	2	3	4	5	6	7	8	9	10	11	
REMEDY® Stemmed Femoral Component SM	RSKF5M	54	41.6	9.5	14								0.6
REMEDY® Stemmed Femoral Component MD	RSKFMD	64	49.3	10.5	14								0.9
REMEDY® Stemmed Femoral Component LG	RSKFLG	74	56.3	11.5	14								1.2
REMEDY® Stemmed Femoral Component XL	RSKFXL	78	63.4	12.5	14								1.6
REMEDY® Stemmed Tibial Component SM	RSKTSM				14	60	36	11	7.8				0.4
REMEDY® Stemmed Tibial Component MD	RSKTMD				14	70	42	11	8.2				0.6
REMEDY® Stemmed Tibial Component LG	RSKTLG				14	80	48	11	8.8				0.8
REMEDY® Stem Extension Component 100	RSK100									100	12	8	0.1
REMEDY® Stem Extension Component 175	RSK175									175	12	8	0.1
REMEDY® Tibial Wedge/Insert Small	RKINSM				14.5	60	36		10				0.3
REMEDY® Tibial Wedge/Insert Medium	RKINMD				14.5	70	42		10				0.5
REMEDY® Tibial Wedge/Insert Large	RKINLG				14.5	80	48		10				0.7

OsteoRemedies, LLC | 6800 Poplar Avenue | Suite 120 | Memphis, TN 38138

1-800-OSTEO-XL | 901-453-3141 | info@OsteoRemedies.com | OsteoRemedies.com



REMEDY, UNITE, OsteoRemedies and the corporate mark are trademarks of OsteoRemedies, LLC • REMEDY is manufactured by OsteoRemedies, LLC • ©2019 • MKT016 • 9-19-V1  
**Caution:** Federal Law restricts this device to sale by or on the order of a physician.