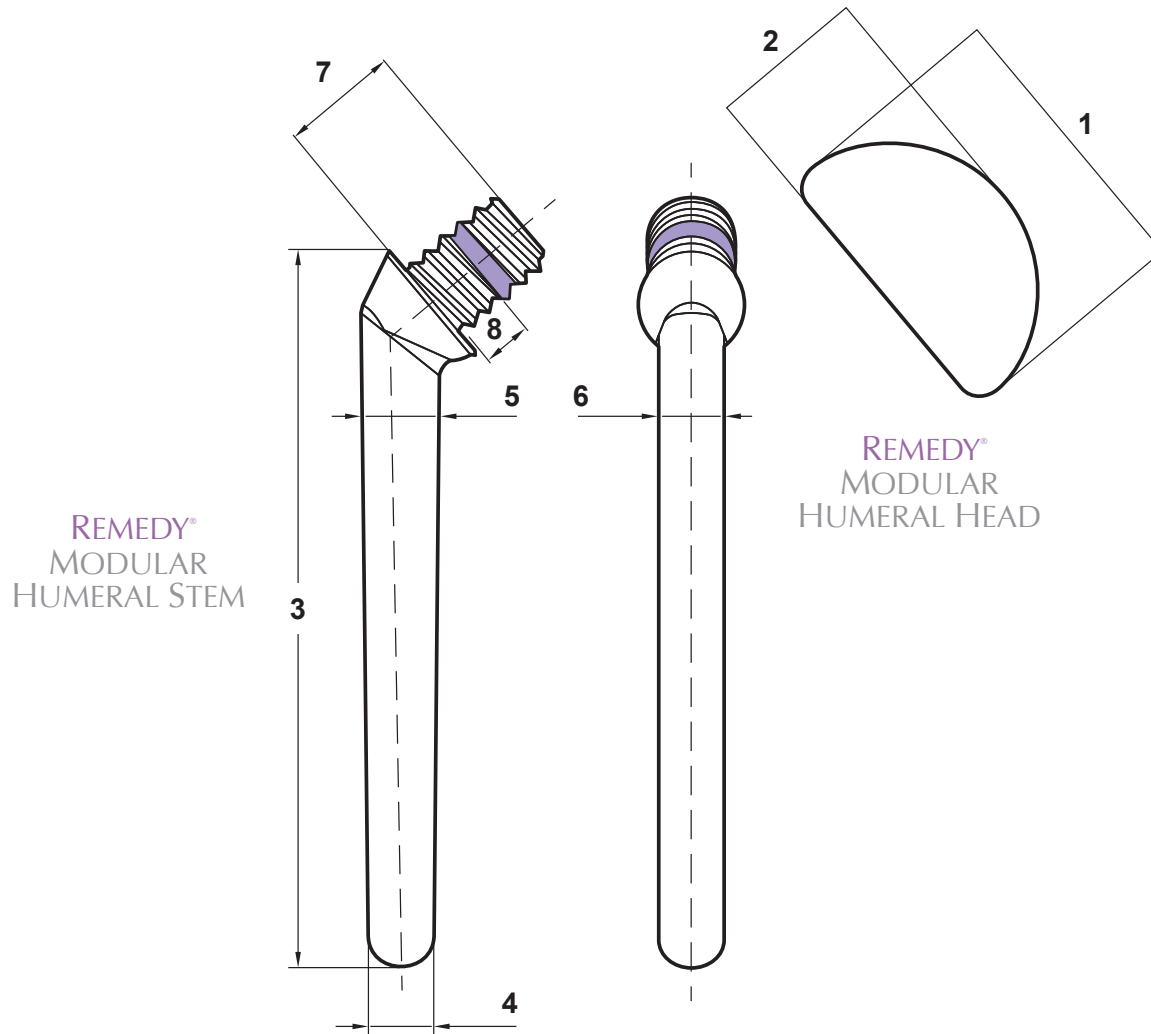


SHOULDER SPECIFICATIONS



REMEDY® SHOULDER SPACER

Description	Catalog #	(MM)								Gentamicin Base (g)
		1	2	3	4	5	6	7	8	
REMEDY® Modular Humeral Head 40mm	RSHHSM	40	25							0.5
REMEDY® Modular Humeral Head 45mm	RSHHMD	45	25							0.5
REMEDY® Modular Humeral Head 50mm	RSHHLG	50	25							0.6
REMEDY® Modular Humeral Stem - Small	RSHSSM			101	7	9.4	7	19	9	0.1
REMEDY® Modular Humeral Stem - Medium	RSHSMD			116	10.5	12.6	10.5	19	9	0.3
REMEDY® Modular Humeral Stem - Large	RSHSLG			131	14	15.8	14	19	9	0.5