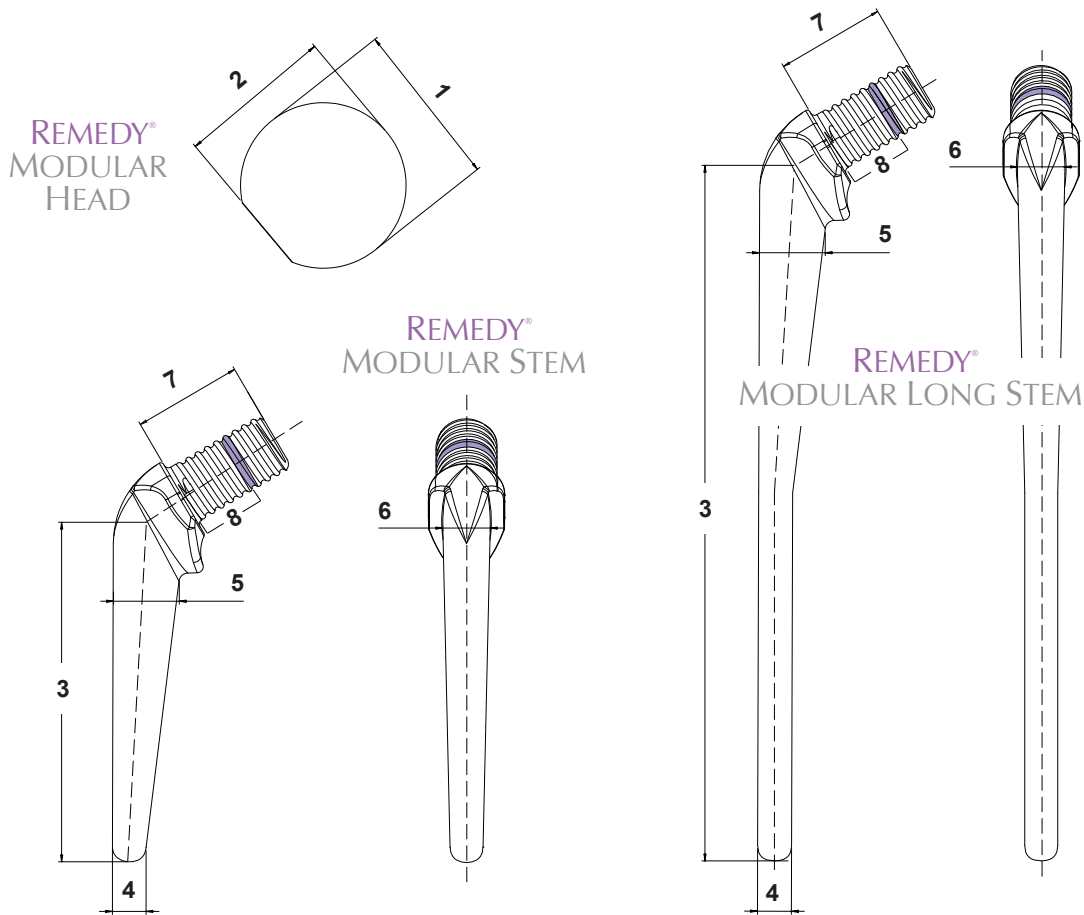


HIP SPECIFICATIONS



REMEDY® HIP SPACER

Description	Catalog #	(MM)								Gentamicin Base (g)
		1	2	3	4	5	6	7	8	
REMEDY® Modular Head 46mm	RHHDSM	46	42.3							0.9
REMEDY® Modular Head 54mm	RHHDMD	54	50.9							1.6
REMEDY® Modular Head 60mm	RHHDLG	60	57.3							2.3
REMEDY® Modular Stem - Small	RHSTSM			111	10	16.5	11.3	35.6	17	0.5
REMEDY® Modular Stem - Medium	RHSTMD			112	11	21.7	15.5	35.6	17	0.6
REMEDY® Modular Stem - Large	RHSTLG			117	11.5	24	16.5	35.6	17	0.7
REMEDY® Modular Long Stem - Small	RHLSSM			227	10	16.5	11.3	35.6	17	0.6
REMEDY® Modular Long Stem - Medium	RHLSMD			227	11	21.7	15.5	35.6	17	0.8
REMEDY® Modular Long Stem - Large	RHLSLG			231	11.5	24	16.5	35.6	17	0.9