

REMEDY® SHOULDER SYSTEM

SHOULDER MODULARITY

The REMEDY® Shoulder Spacer is part of the treatment foreseen in a two-stage procedure performed in the event of permanent prosthesis infection. The REMEDY® Shoulder Spacer implant is intended for temporary use only (180 days or less). It allows basic joint mobility and releases antibiotics into the joint area to protect the implant from bacterial colonization. A second surgery will be required at a later date to remove the REMEDY® Shoulder Spacer and replace it with a permanent shoulder joint implant.



Stainless steel rod reinforces the humeral stem

REMEDY® Shoulder Spacers:

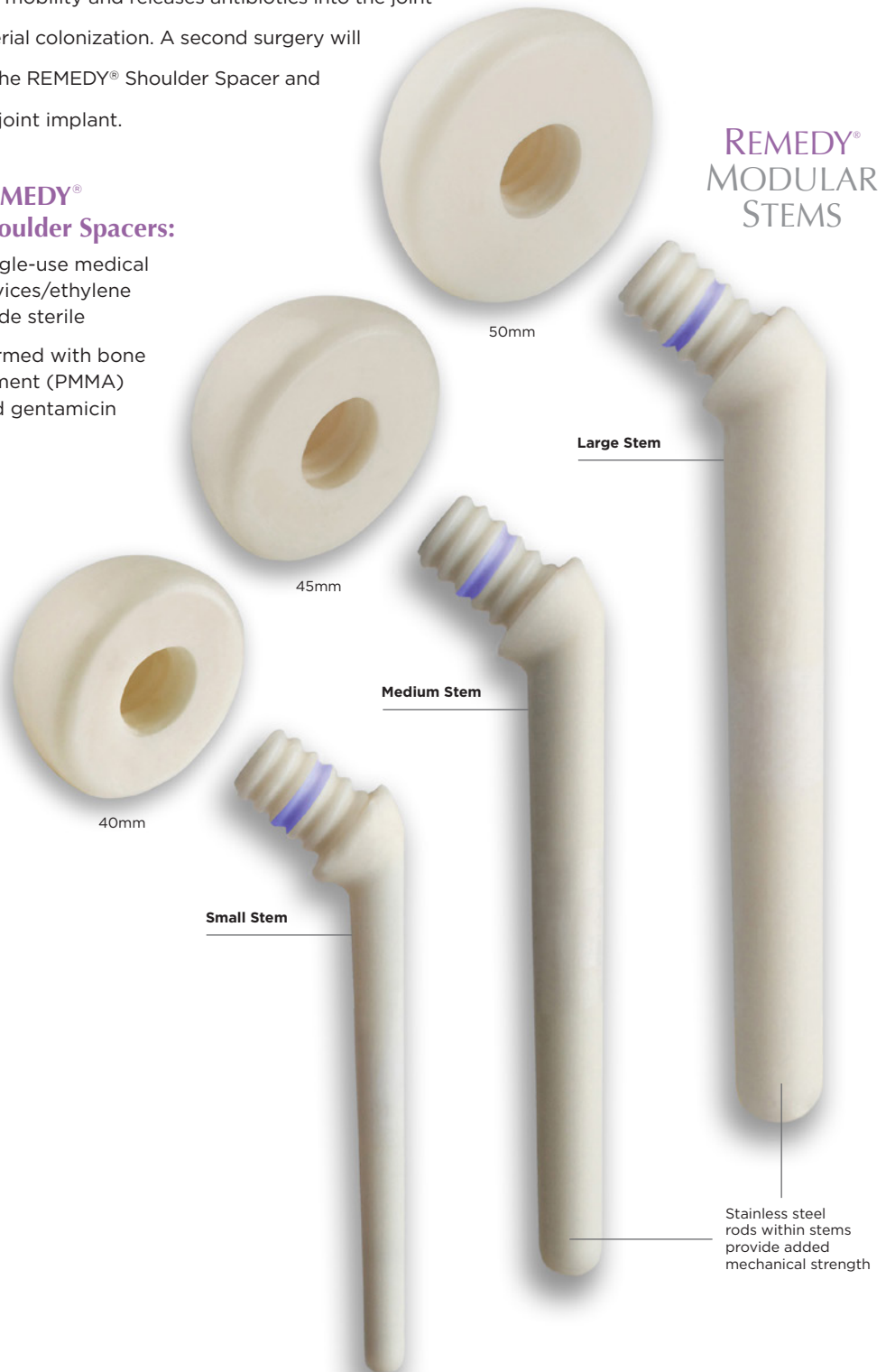
- Single-use medical devices/ethylene oxide sterile
- Formed with bone cement (PMMA) and gentamicin

REMEDY® MODULAR HEADS

Head sizes interchangeable with stems for surgical flexibility



Variable head and neck design allows desired placement and positioning up to 9mm



REMEDY® MODULAR STEMS

50mm

Large Stem

45mm

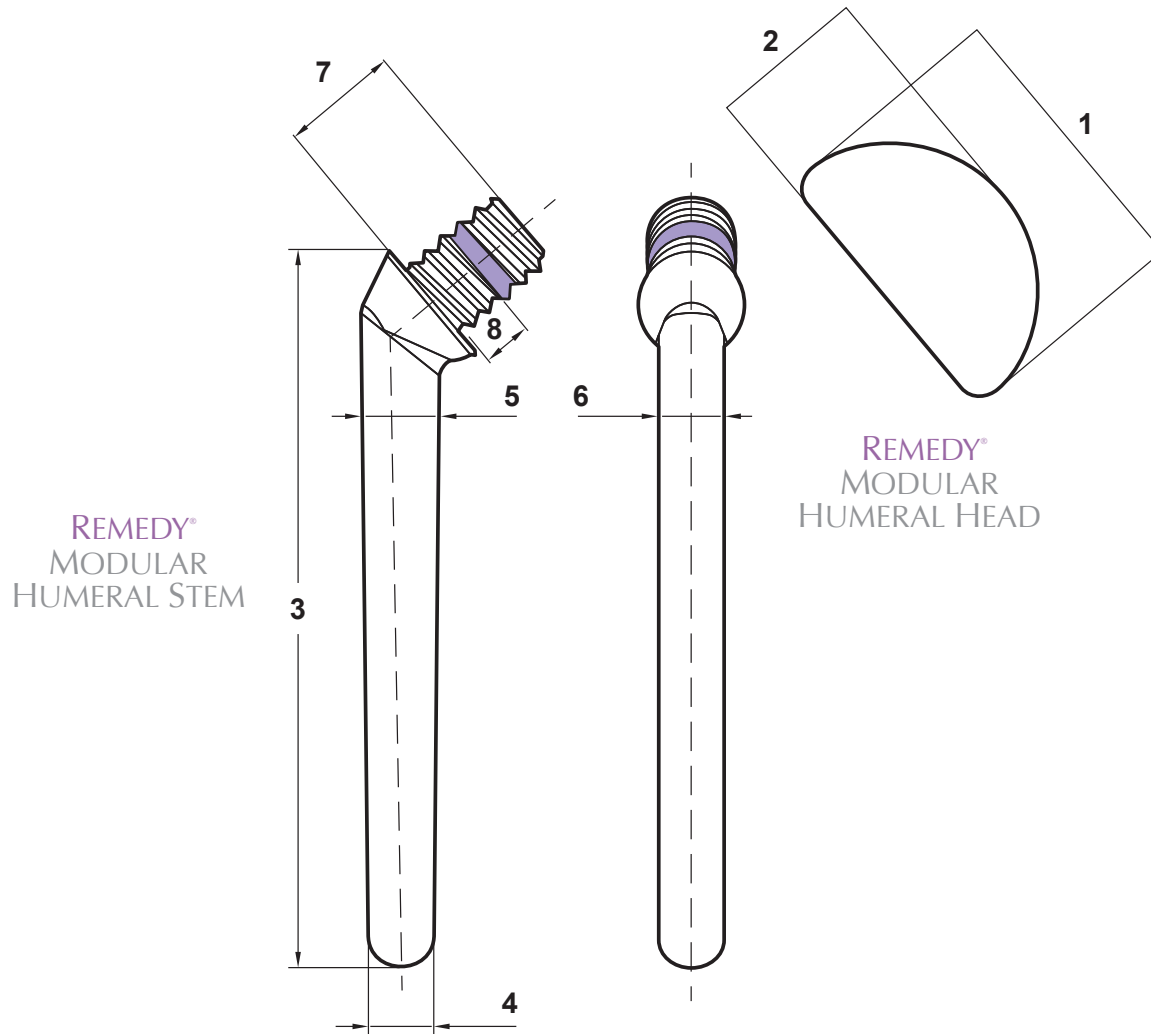
Medium Stem

40mm

Small Stem

Stainless steel rods within stems provide added mechanical strength

SHOULDER SPECIFICATIONS



REMEDY® SHOULDER SPACER

Description	Catalog #	(MM)								Gentamicin Base (g)
		1	2	3	4	5	6	7	8	
REMEDY® Modular Humeral Head 40mm	RSHHSM	40	25							0.5
REMEDY® Modular Humeral Head 45mm	RSHHMD	45	25							0.5
REMEDY® Modular Humeral Head 50mm	RSHHLG	50	25							0.6
REMEDY® Modular Humeral Stem - Small	RSHSSM			101	7	9.4	7	19	9	0.1
REMEDY® Modular Humeral Stem - Medium	RSHSMD			116	10.5	12.6	10.5	19	9	0.3
REMEDY® Modular Humeral Stem - Large	RSHSLG			131	14	15.8	14	19	9	0.5